

## Bride coulissante Sliding flange

### Matière / material

Acier inox 316L / SS316

### Montage / manufacturing

Vis de blocage M4

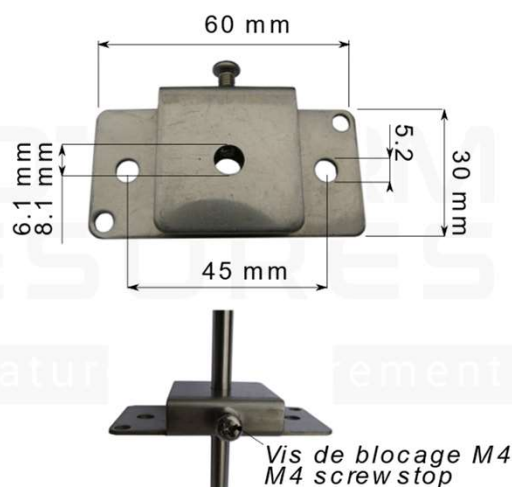
M4 screw stop

### Diamètre / diameter

6 or 8 mm

### Raccordement procédé / Process connection

A visser / to screw



## Bride fonte coulissante Sliding cast iron flange

### Matière / material

Fonte / cast iron

### Montage / manufacturing

Vis de blocage M6 x 16 mm

M6 x 16 mm screw stop

### Diamètre / diameter

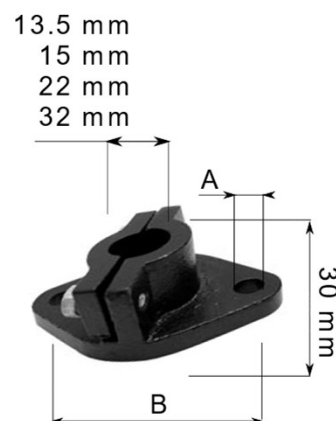
13.5 – 15 – 22 or 32 mm

### Raccordement procédé / Process connection

A visser / to screw

### Température d'utilisation / temperature range

+300°C



## Bride ronde coulissante Round sliding flange

### Matière / material

Laiton / brass

### Montage / manufacturing

Vis de blocage

Screw stop

### Diamètre / diameter

6 – 8 or 17.5 mm

### Raccordement procédé / Process connection

A visser / to screw

